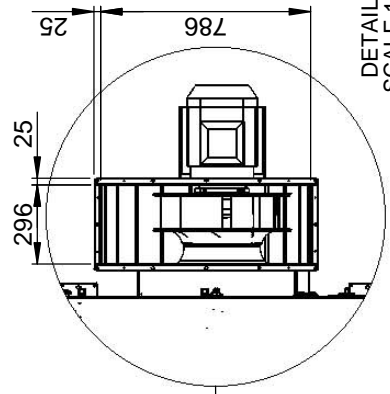
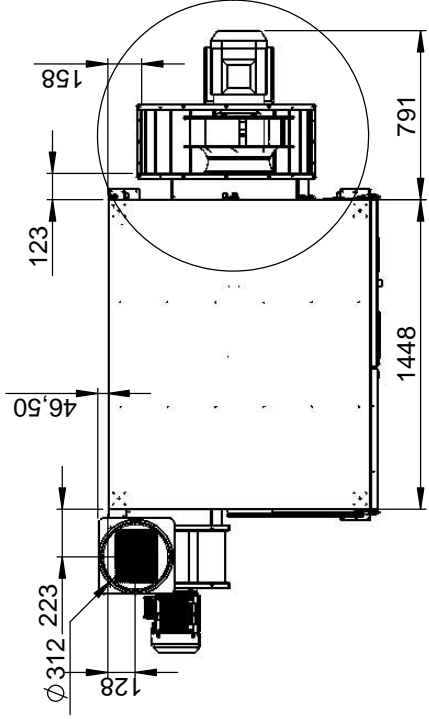
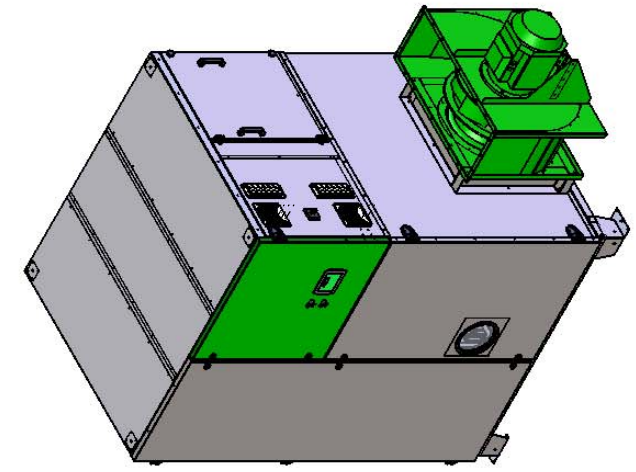
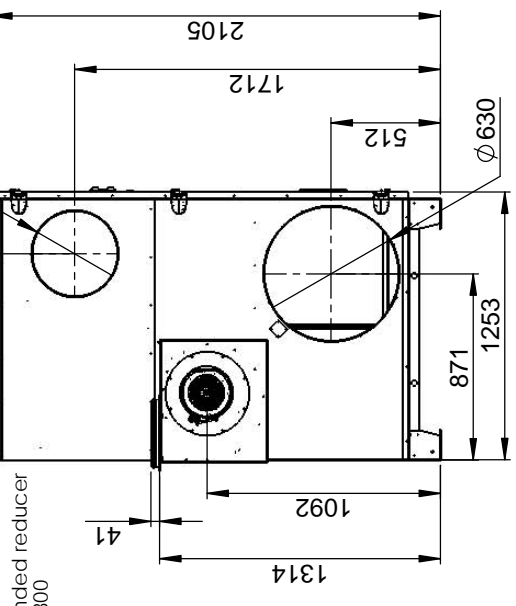
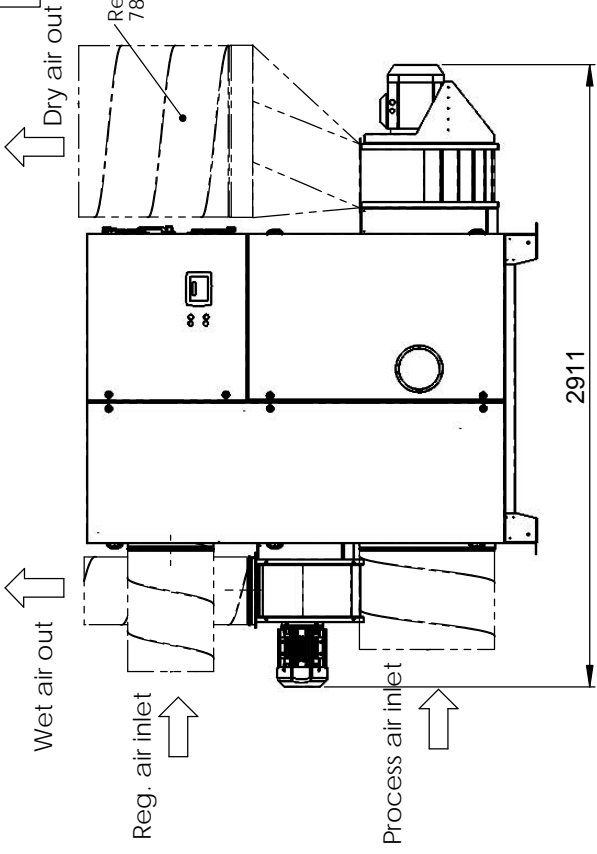
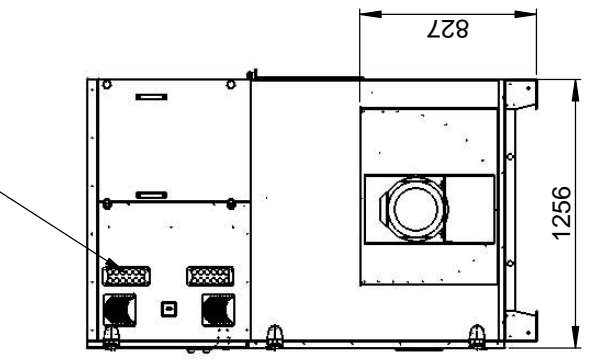


Power supply



DETAIL B
SCALE 1 : 20

REVISIONS		DATE	APPROVED
REV.	DESCRIPTION		
01	Recommended reduction added	2013-10-31	KS
02	Reg fan with outlet on opposite side added	2016-09-08	AD



Designed by	Catarina S	Date	2011-03-03
Drawn by	Catarina S	Date	2011-03-03
Approved by		Date	
Material		Thickness	t=
Status	Construction	Temperature	ISO 2768-1m
Scale	1:25	Format	A3
	1/1	Sheet No.	02+560
		Rev Part	02+
		Work No.	560

Title/Description		Rev
Installationsriting CZ-104		02+
Installation drawing		
CZ-104		
Drawing no	DST02572	

Seibu Giken DST AB
+46 8 445 77 20
www.dst-sg.com

This document and its contents are the exclusive property of DST Seibu Giken and must not be copied, reproduced, transmitted or communicated to any other party or used for purposes not expressly permitted by us.